

Hardware #900953

(A) 8 - 2³/₈" Nuts & Bolts

(B) 5 - 1" Screws

(C) 8 - 3/4" Screws

(D) 3 - Stars

Locking Opener(2)
#900034

Roof Panel with hinge
#900960

Center Floor Panel
#902916

Floor (x2)
#900956

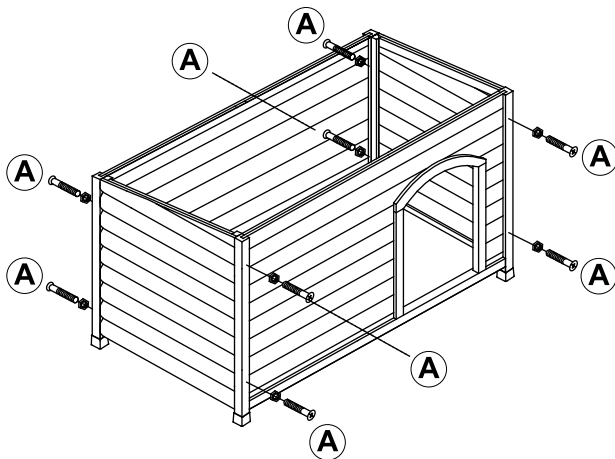
Left Side Panel
#900958

Right Side Panel
#900959

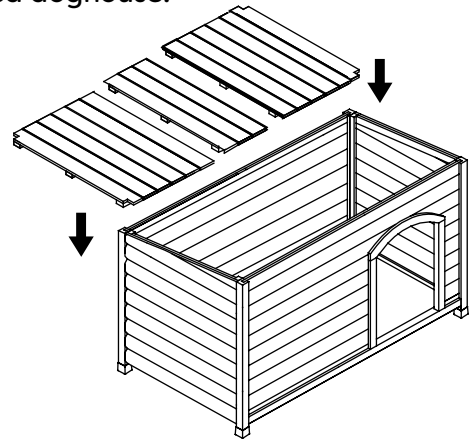
Back Panel
#900954

Front Panel
#900955

Step 1 Connect the Front Panel and the Back Panel to the Left and Right Side Panels using 8 - 2³/₈" nuts and bolts (A).

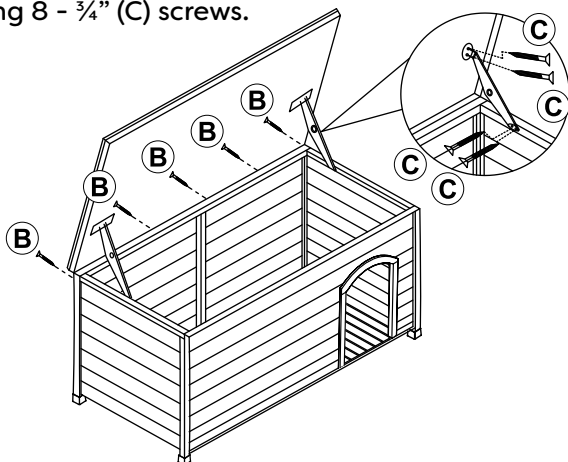


Step 2 Insert the 3 piece Floor Panel into the assembled doghouse.

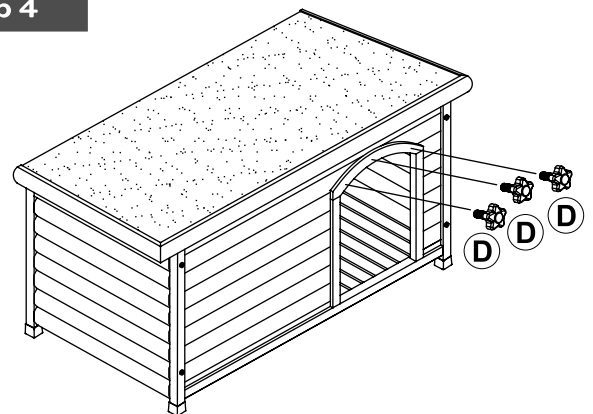


Tip: the corners of the two end pieces are notched to fit into the corners of the doghouse. The center piece does not have notches.

Step 3 Attach Roof panel with hinge to assembled doghouse using 5 - 1" (B) screws. Next, attach locking openers on each side using 8 - 3/4" (C) screws.



Step 4



(A) Push back gently on locking closure and fold rooftop closed.

(B) Screw the 3 star shaped bolts (D) into the threaded holes on the front door frame.

Care Tip

To protect the wood on your doghouse you need to re-apply the protective stain finish at least 1x each year. Use a safe and non-toxic water based stain (available at your local paint or hardware center). Keep hutch in a safe area away from high winds and extreme temperatures.

ware cares[™]

We care about the carbon pawprint we leave as a company and are committed to using recycled and recyclable material in the manufacturing of our packaging and pet products.

If you have any questions or concerns about this product contact our customer service department at 1-800-295-2243 Mon-Fri 8:00 - 4:00 MST or email us at hello@warepet.com

Revised: 11-11-21
#30001701

Ware Mfg., Inc. claims copyright protection under U.S. and International Copyright Law in the attached sculptural work and in the content of this packaging. Copyright ©2019 Ware Mfg., Inc. All rights reserved.